



magnifi5

The magnifi5 is magniX's flagship electric motor that employs state-of-the-art materials and technology to produce exceptional power density – 5kW/kg.

magniX Technologies Pty Ltd
31 Harrington St, Arundel
QLD 4214, Australia

Tel: +61 7 5563 3833
Email: sales@magniflux.com

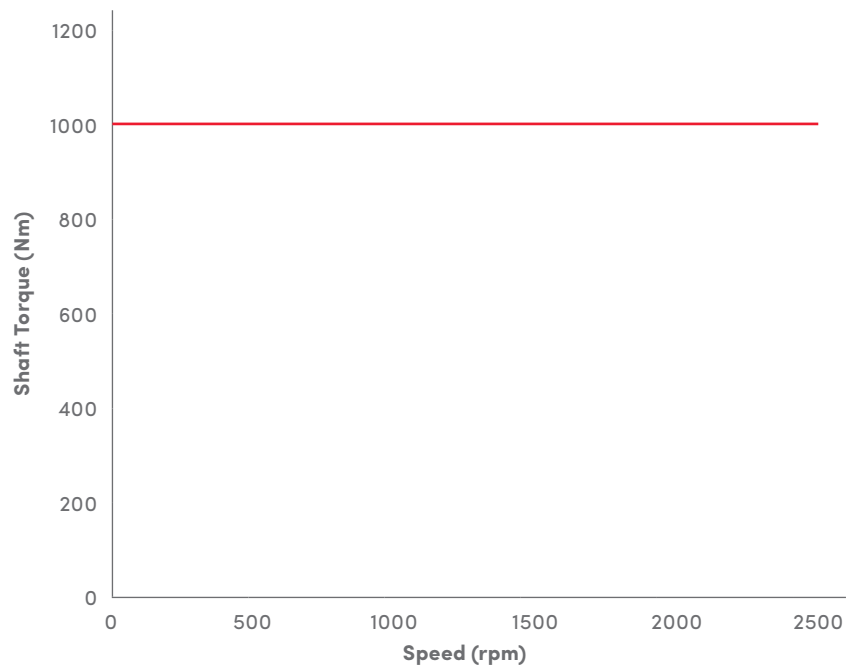
www.magniflux.com

The magni5 produces a power density that is delivered at a continuous power level of 265kW with an operating speed of 2500rpm. Incorporating a host of innovative design and construction techniques, magni5 seeks to push the boundaries of what can be achieved by permanent magnet motors.

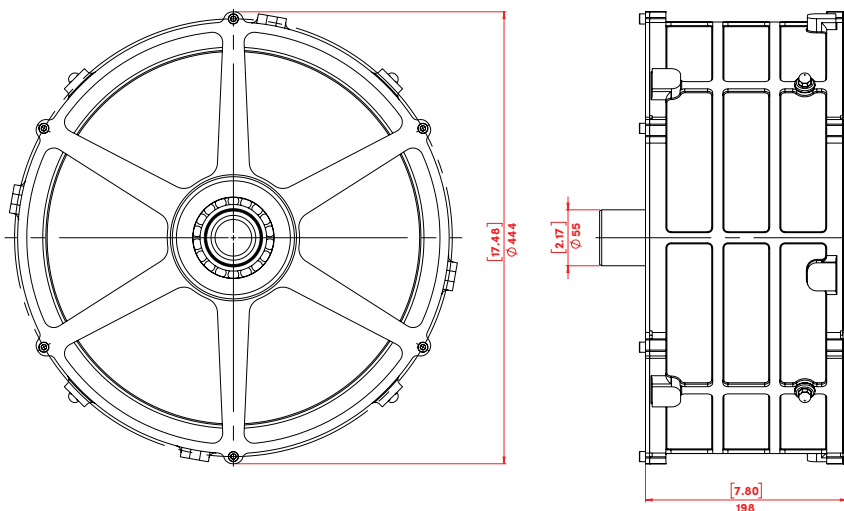
This performance puts the magni5 in a class of its own – suited to the most demanding applications.

magni5 Performance Curve

— Continuous Rating



Overall Dimensions



Applications

magni5 is well suited to any application in which weight and space are at a premium. The high torque density and lower rotation speeds mean that magni5 is well suited to direct drive applications avoiding the additional weight and complexity of a gearbox.

Applications include:



Direct drive of propellers or fans for the next generation of hybrid and fully electric light aircraft and drones.



Power and torque dense ancillary on-board motors (or generators) in weight and space sensitive applications.

Model Specifications

Continuous Power/Peak Power (kW)	265 / 300+
Continuous / Peak Torque (Nm)	1012 / 1300
Rated / Maximum Speed (RPM)	2500 / 3000
Motor Peak efficiency	Up to 95%
DC Bus / Battery Voltage	600V (Nominal)
Motor Dimension (mm)	Diameter 444 x 275 long
Motor Dry mass (kg)	53

magniX is leading energy innovation by redefining power density and efficiency. Through its pioneering magniflux™ technology applied to superconducting and permanent magnet motors and generators, magniX is capable of scaling its technology to meet electrical generation and torque requirements for sustainable commercial transport and industry.

Power magnified.

May 2017. Version 1.0.